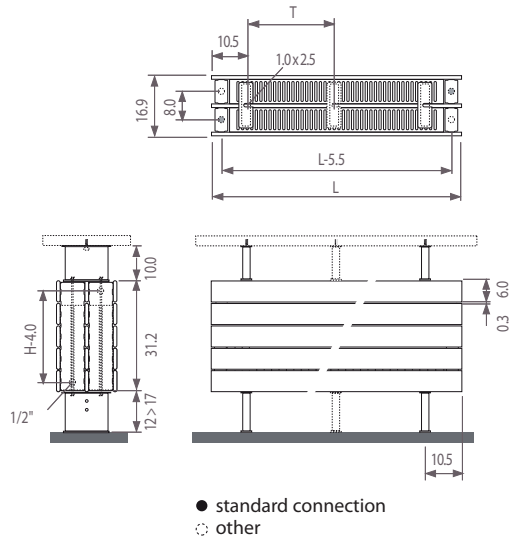




Bench radiator

Dimensions

PPHF.../BE_Panel Plus Horizontal Freestanding / Bench



	L	120	160	200	240	280
Distance between the bench supports*	T	99	69.5	89.5	109.5	86.5
Number of bench supports		2	3	3	3	4
Number of feet		2	2	2	3	3

* Tablet not included: use a bench with sufficient thickness and low bending resistance to cover distance T.

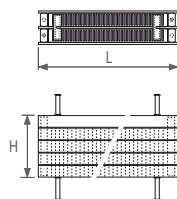
Outputs

Bench radiator	code	height	length	type	colour	conn.
ORDERING CODE: PPHF.	031	120	034.	XXX	/18/BE	

H	L	120	160	200	240	280
031	75/65/20	2199	2932	3665	4398	5131
	90/70/20	2765	3687	4608	5530	6451

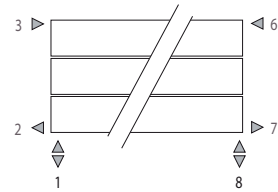
Standard delivery
 - mountingset for shelf
 - specially adapted grille
 - Panel Plus radiator type 34 free-standing
 - chrome-plated air vent 1/2"
 - drain cock 1/2"
 - **tablet not included**

Standard colours:
 - white (233) RAL 9016 glossy
 - white (201) RAL 9010 glossy
 - sand blast grey metallic (001)



Connections

Code: 1° number = flow
 2° number = return



Standard connection

Code 18

Connection 18 or 81.

Side end connection

One-sided: code 32 or 67 instead of 18

Cross-over: code 37 or 62 instead of 18

Single point connection

Specify code 11 (left) or 88 (right) instead of 18.

Always use a vertical diffusion tube (ø 10 to 12mm) of min. length of 100 mm and a reduction washer.

Not standard connection without surcharge.

PANEL PLUS

Mounting instructions

Bench mounting set



PARTS

L 120	L 160+200+240	L 280
120	160+200+240	280

