



B427

COMPACT BRAZED HEAT EXCHANGER

Experience the true original: the B-type

The efficient B427 is used in many different heating and industrial applications, and is easy to adapt to suit a wide variety of situations.

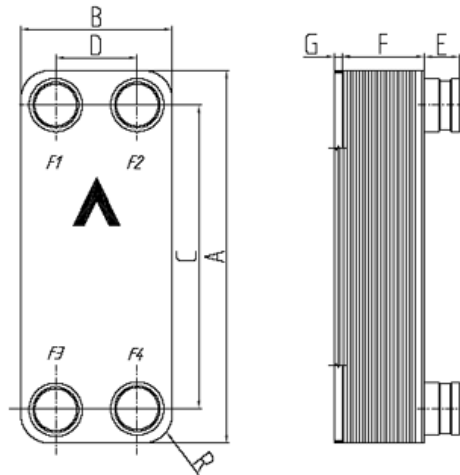
Easy to choose the right product solution

With SWEP's unique SSP CBE, the SWEP Software Package, you can do advanced heat transfer calculations yourself, and choose the product solution that suits your application best. It's also easy to choose connections and generate drawings of the complete product. If you would like advice, or you would like to discuss different product solutions, SWEP offers all the service and support your need.

THIRD-PARTY APPROVALS (selection)

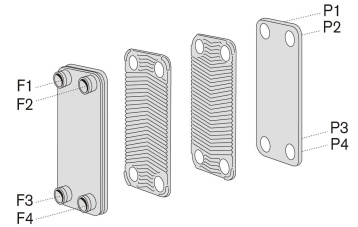
Europe, Pressure Equipment Directive (PED 97/23/EC)

For additional information please contact your local SWEP representative. SWEP reserves the right to make changes without prior notice.



Measurements(mm)	Tolerance
A	694 +2 /-2
B	304 +1 /-1
C	567 +1 /-1
D	179 +1 /-1
E	54.2 (opt. 112.3) +1 /-1
F	22+2.29xNP +0.5% /-1.5%
G	0 +0 /-0
R	44 +0 /-0

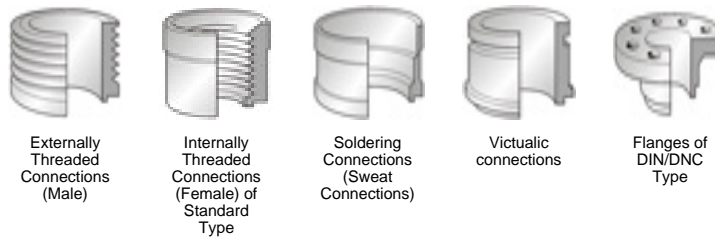
Portsize F/P: 100mm



CBE port naming

STANDARD CONNECTIONS

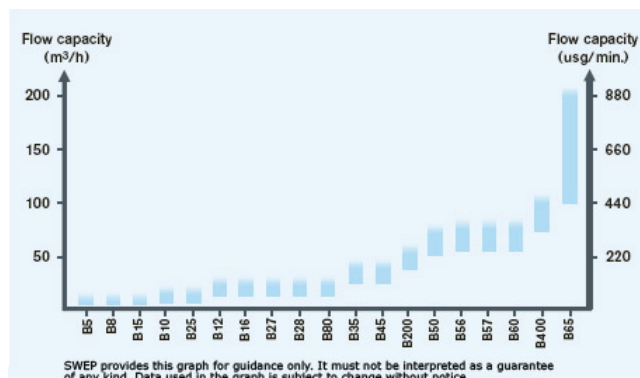
For specific dimensions, or information about other types of connections, please contact your SWEP sales representative.



TECHNICAL DATA

Max working pressure at 155°C	Inner circuit: 28 bar (406psi) Outer circuit: 28 bar (406psi)
Max working pressure at 225°C	Inner circuit: 25 bar (363psi) Outer circuit: 25 bar (363psi)
Test pressure:	45 bar (653psi)
Min temperature:	-196°C (-321F)
Max temperature:	225°C (437F)
Max number of plates (NoP)	280
CBE weight	29+NoPx0.62kg (63.9+NoPx1.4lbs)
Hold-up volume: inner circuit	(NoP/2-1)x0.405 litres ((NoP/2-1)x0.014 gal.)
Plate material:	EN 10028/7-1.4401 (AISI 316)
Brazing material:	Pure Copper
Connection material	EN 10272-1.4401 (AISI 316)

CAPACITY GRAPH



SWEP INTERNATIONAL AB
 Box 105, SE-261 22 Landskrona, Sweden
 Phone +46 418 40 04 00
 Fax +46 418 292 95
 Internet: www.swep.net
 E-mail: info@swep.net