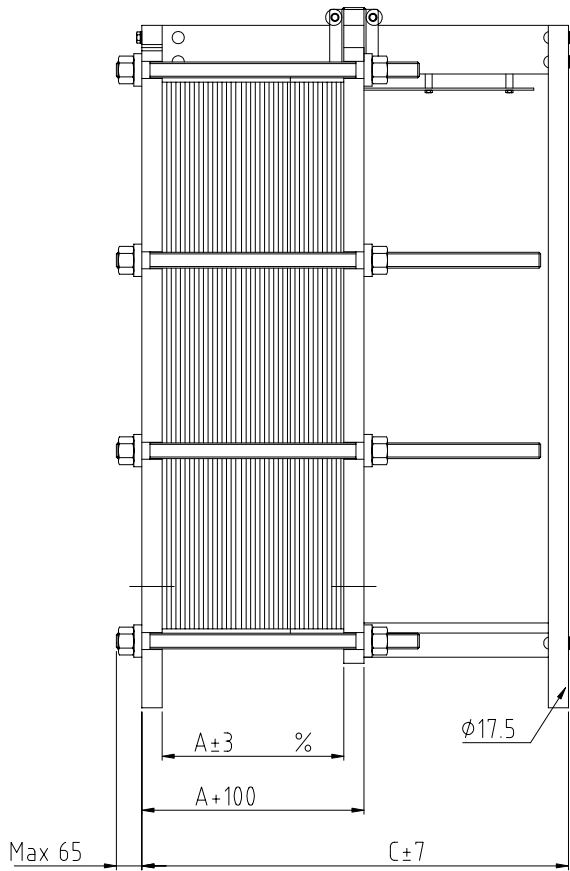
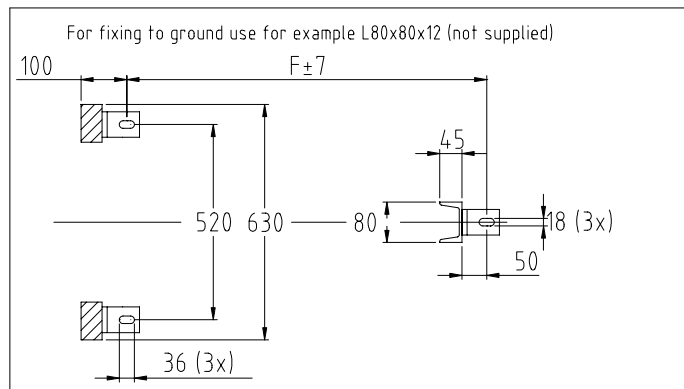
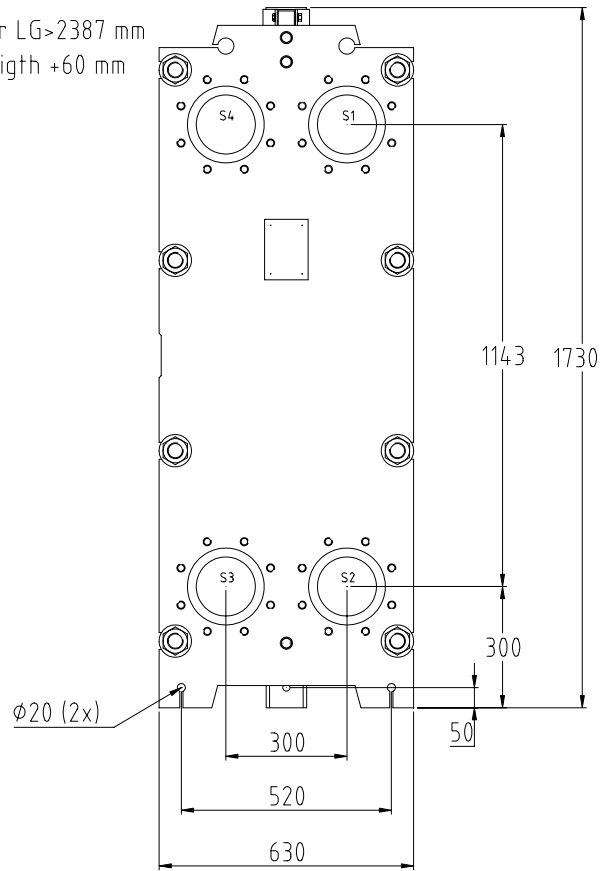




PLATE HEAT EXCHANGER  
GC-51P  
DIMENSIONS, MM

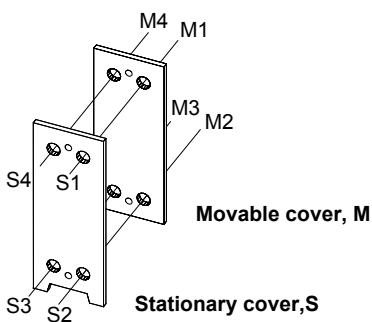


For LG>2387 mm  
Height +60 mm



The Plate Heat Exchanger has 4 connections as standard and should be installed with min. 1000 mm space on both sides for service work.

Subject to alterations without prior notice.



Available connections.

Conn. fits	D	K	Threaded	No. of bolts
DIN ×	217	240	M20x30	8
ANSI ×	217	241.3	3/4"UNCx30	8
JIS 10K	217	240	M20x30	8
JIS 5K	210	230	M16x25	8

× DIN 2501 PN 16  
ANSI B 16.5 # 150lb

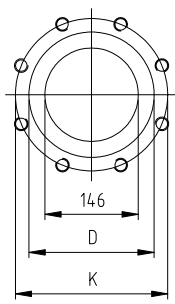




PLATE HEAT EXCHANGER  
GC-51P  
DIMENSIONS, MM

Standard connection dimension	DN150								
Tightening bolt	M39								
No. of long tightening bolts (T <sub>L</sub> )	4								
No. of short tightening (T <sub>S</sub> )	4								
Cover thickness	50 mm								
Weight of guiding bar	11 kg/m								
Weight of reinforced guiding bar	17 kg/m								
Weight of tightening bolt	8,1 kg/m								
A-dimension	4,5*n mm								
C-dimension	LG+56 mm								
F-dimension	LG+6 mm								
Weight plate+gasket (W)	<table border="0"> <tr> <td>AISI 304/316 0,5 mm</td> <td>2,55 kg</td> </tr> <tr> <td>AISI 304/316 0,6 mm</td> <td>3,06 kg</td> </tr> <tr> <td>Titanium 0,5 mm</td> <td>1,57 kg</td> </tr> <tr> <td>Titanium 0,6 mm</td> <td>1,88 kg</td> </tr> </table>	AISI 304/316 0,5 mm	2,55 kg	AISI 304/316 0,6 mm	3,06 kg	Titanium 0,5 mm	1,57 kg	Titanium 0,6 mm	1,88 kg
AISI 304/316 0,5 mm	2,55 kg								
AISI 304/316 0,6 mm	3,06 kg								
Titanium 0,5 mm	1,57 kg								
Titanium 0,6 mm	1,88 kg								
Weight Frame	880+n*W kg								

Max No of plates	LT <sub>L</sub>	LG	C	F
44	500	600	656	606
56	750	600	656	606
80	750	1000	1056	606
114	1050	1000	1056	1006
125	1050	1350	1406	1356
167	1350	1350	1406	1356
170	1350	1550	1606	1506
197	1650	1550	1593	1556
214	1650	1550	1593	1556
249	1950	1900	1956	1906
259	1950	2250	2306	2256
301	2250	2250	2306	2256
304	2250	3000 <sup>1)</sup>	3056	3006
413	3000	3000 <sup>1)</sup>	3056	3006
416	3000	-	-	-

LT<sub>L</sub> = Length of long tightening bolt, based on 6,7 x n + 210 mm

LG = Length of guiding bar, based on 6,7 x n + 230 mm

n = number of plates

- 1) LG>2387mm reinforced guiding bar Height+60mm.
- 2) The reinforced guiding bar is not dimensioned for more plates.

Total max no. of plates	
AISI 304/316 0,5 mm	443 <sup>2)</sup>

All data is based on plates with material AISI 304/316 and thickness 0,5 mm.