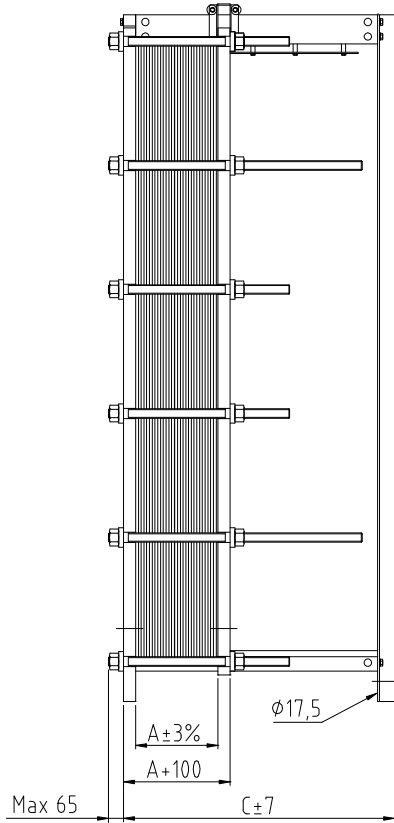
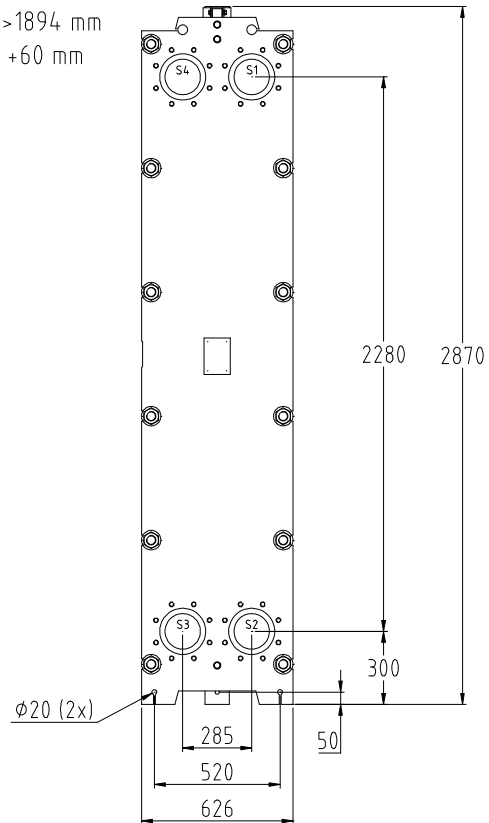




PLATE HEAT EXCHANGER
GX-118P
 DIMENSIONS, MM

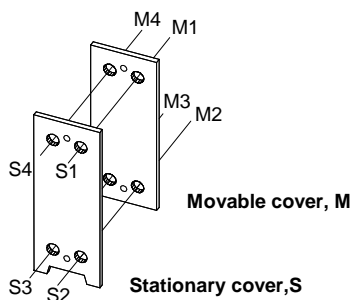
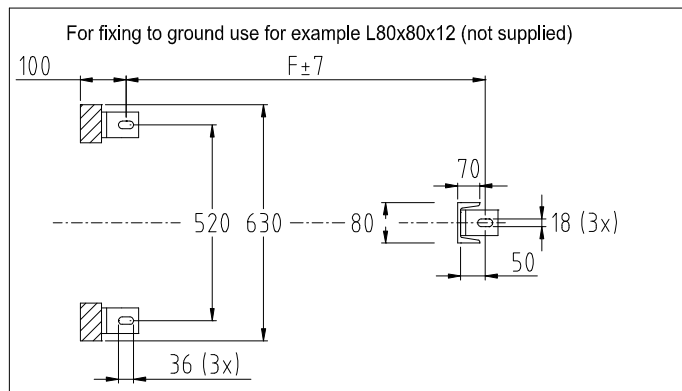


For LG > 1894 mm
 Height +60 mm



The Plate Heat Exchanger has 4 connections as standard and should be installed with min. 1200 mm space on both sides for service work.

Subject to alterations without prior notice.



Available connections.

Conn. fits	D	K	Threaded	No. of bolts
DIN ×	217	240	M20x30	8
ANSI ×	217	241.3	3/4"UNCx30	8
JIS 10K	217	240	M20x30	8
JIS 5K	210	230	M16x25	8

× DIN 2501 PN 16
 ANSI B 16.5 # 150lb



PLATE HEAT EXCHANGER
GX-118P
DIMENSIONS, MM

Standard connection dimension	DN150								
Tightening bolt	M39								
No. of long tightening bolts (T _L)	4								
No. of short tightening bolts (T _S)	8								
Cover thickness	50 mm								
Weight of guiding bar	11 kg/m								
Weight of reinforced guiding bar	17 kg/m								
Weight of tightening bolt	8,1 kg/m								
A-dimension	3,4*n mm								
C-dimension	LG+120 mm								
F-dimension	LG+8 mm								
Weight plate+gasket (W)	<table style="border: none;"> <tr> <td>AISI 304/316 0,5 mm</td> <td>4,87 kg</td> </tr> <tr> <td>AISI 304/316 0,6 mm</td> <td>5,84 kg</td> </tr> <tr> <td>Titanium 0,5 mm</td> <td>2,90 kg</td> </tr> <tr> <td>Titanium 0,6 mm</td> <td>3,48 kg</td> </tr> </table>	AISI 304/316 0,5 mm	4,87 kg	AISI 304/316 0,6 mm	5,84 kg	Titanium 0,5 mm	2,90 kg	Titanium 0,6 mm	3,48 kg
AISI 304/316 0,5 mm	4,87 kg								
AISI 304/316 0,6 mm	5,84 kg								
Titanium 0,5 mm	2,90 kg								
Titanium 0,6 mm	3,48 kg								
Weight Frame	1350+n*W kg								

Max No of plates	LT _L	LG	C	F
48	500	600	720	608
61	750	600	720	608
90	750	1000	1120	1008
125	1050	1000	1120	1008
140	1050	1350	1470	1358
183	1350	1350	1470	1358
190	1350	1550	1670	1558
216	1650	1550	1670	1558
240	1650	1900 ¹⁾	2020	1908
275	1950	1900 ¹⁾	2020	1908
285	1950	2250 ¹⁾	2370	2258
333	2250	2250 ¹⁾	2370	2258
340	2250	3000 ¹⁾	3120	3008
400	3000	3000 ¹⁾	3120	3008

LT_L = Length of long tightening bolt, based on 6 x n + 210 mm

LG = Length of guiding bar, based on 6 x n + 250 mm

n = number of plates

1) LG>1894 mm reinforced guiding bar Height+60mm.

Total max no. of plates	
AISI 304/316 0,5 mm	400

All data is based on plates with material AISI 304/316 and thickness 0,5 mm.