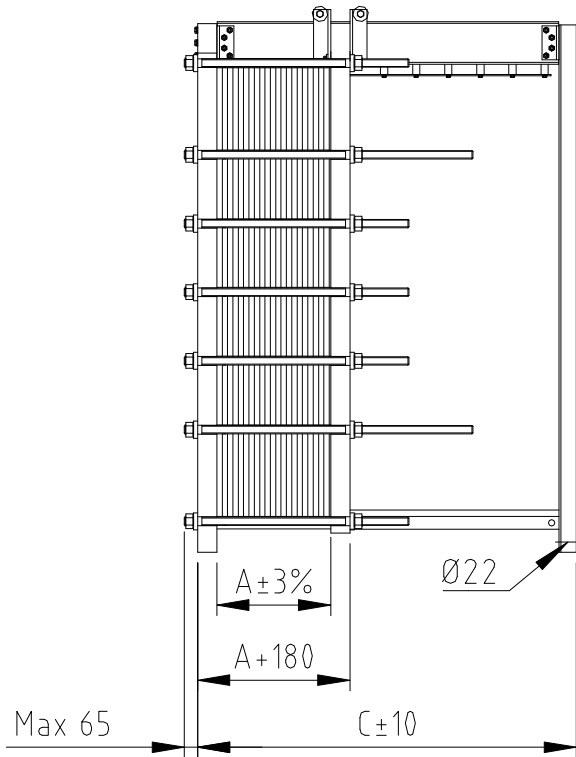
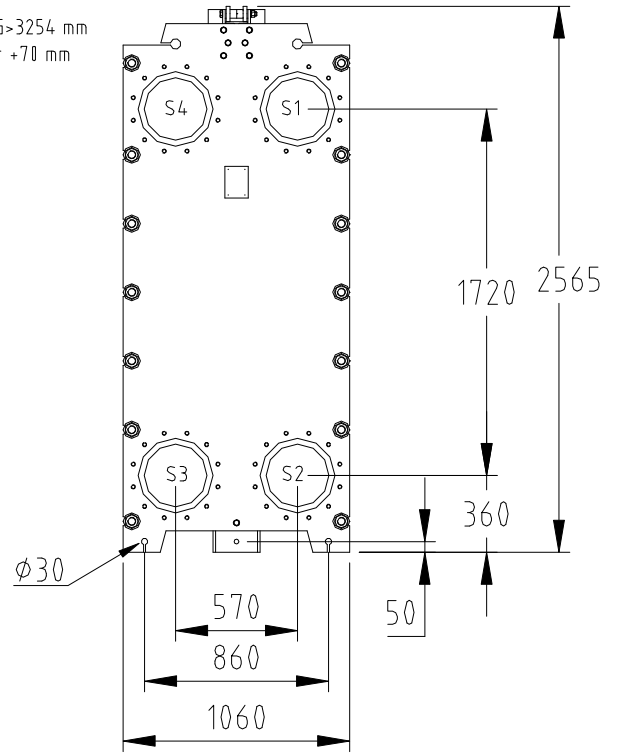




PLATE HEAT EXCHANGER
GX-145P
 DIMENSIONS, MM

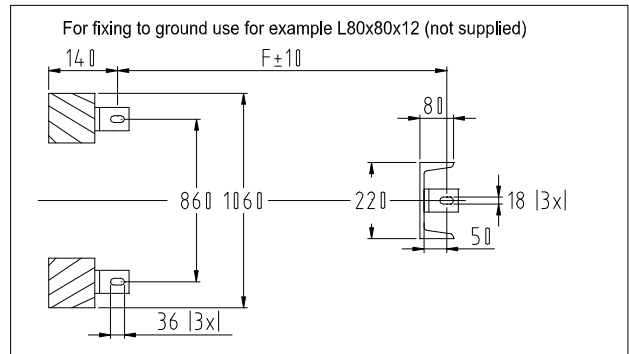
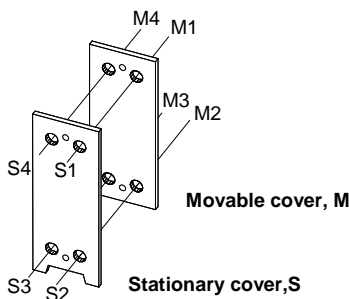


For LG>3254 mm
 Height +70 mm

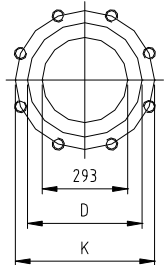


The Plate Heat Exchanger has 4 connections as standard and should be installed with min. 1200 mm space on both sides for service work.

Subject to alterations without prior notice.



Available connections.



Conn. fits	D	K	Threaded	No. of bolts
DIN ×	350	410	M24x36	12
ANSI ×	350	432	7/8"UNCx34	12
JIS 10K	350	400	M22x34	16
JIS 5K	350	390	M20x30	12

× DIN 2511 PN 16
 ANSI B 16.5 # 150lb



PLATE HEAT EXCHANGER

GX-145P

DIMENSIONS, MM

Standard connection dimension	DN300								
Tightening bolt	M39								
No. of long tightening bolts (T _L)	4								
No. of short tightening (T _S)	10								
Cover thickness	90 mm								
Weight of guiding bar	28 kg/m								
Weight of reinforced guiding bar	43 kg/m								
Weight of tightening bolt	8,1 kg/m								
A-dimension	3,8*n mm								
C-dimension	LG+170 mm								
F-dimension	LG+9 mm								
Weight plate+gasket (W)	<table style="border: none;"> <tr> <td>AISI 304/316 0,5 mm</td> <td>7,2 kg</td> </tr> <tr> <td>AISI 304/316 0,6 mm</td> <td>8,6 kg</td> </tr> <tr> <td>Titanium 0,5 mm</td> <td>4,4 kg</td> </tr> <tr> <td>Titanium 0,6 mm</td> <td>5,3 kg</td> </tr> </table>	AISI 304/316 0,5 mm	7,2 kg	AISI 304/316 0,6 mm	8,6 kg	Titanium 0,5 mm	4,4 kg	Titanium 0,6 mm	5,3 kg
AISI 304/316 0,5 mm	7,2 kg								
AISI 304/316 0,6 mm	8,6 kg								
Titanium 0,5 mm	4,4 kg								
Titanium 0,6 mm	5,3 kg								
Weight Frame	3650+n*W kg								

Max No of plates	LT _L	LG	C	F
35	500	1300	1470	1309
76	750	1300	1470	1309
118	1050	1300	1470	1309
126	1050	1600	1770	1609
168	1350	1600	1770	1609
176	1350	1950	2120	1959
226	1650	1950	2120	1959
276	1950	2200	2370	2209
318	2250	2500	2670	2509
326	3000	3000	3170	3009
401	3000	3000	3170	3009
451	3000	3500 ¹⁾	3670	3509
485	3500	3500 ¹⁾	3670	3509
535	3500	4000 ¹⁾	4170	4009
568	4000	4000 ¹⁾	4170	4009
600	4000	4500 ¹⁾	4670	4509

LT_L = Length of long tightening bolt, based on 6 x n + 290 mm

LG = Length of guiding bar, based on 6 x n + 590 mm

n = number of plates

Total max no. of plates	
AISI 304/316 0,5 mm	600

1) LG>3254 mm reinforced guiding bar Height+70mm.

All data is based on plates with material AISI 304/316 and thickness 0,5 mm.