

HL400.WE

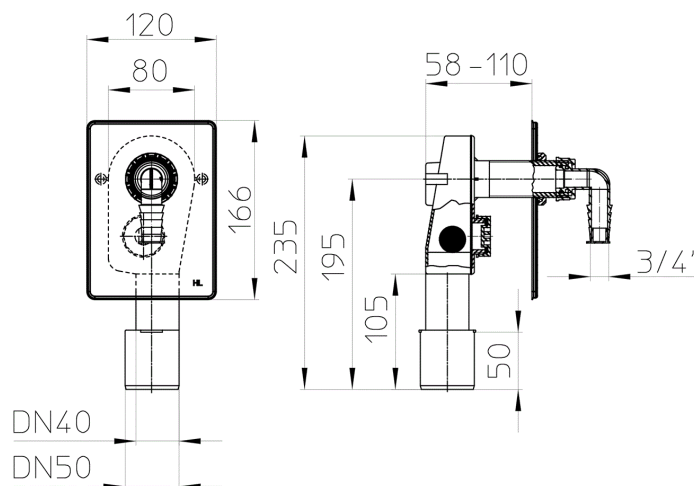
recessed washing device trap DN40/50 - 160x110mm white



recessed washing device trap DN40/50 with cleaning eye, appliance hose connector 3/4" HL19 and stainless steel coverplate white 160 x 110 mm. Minimum installation depth 58 mm. Comes with lot cover.





techn. drawing



MAIN DATA

spare parts

-  **HL0400.4E**
stainless steel plate white 110x160mm
-  **HL0400.5E**
threaded ring 1"x54mm



HL0400.6E
cleaning eye nut 1'



HL0400.8E
lot-cover



HL19
appliance hose connector 1'x3/4', O-ring



HL01050D
O-ring 18x2,5mm



HL0400.7E
plug

attachment



HL0400.5EC
threaded ring 1' chrome plated



HL19.2
appliance hose connector 1'x8-13mm, O-ring



HL19.C
appliance hose connector 1'x3/4' chrome plated, O-ring



HL2
appliance hose twin connector with non-return valve. O-ring



HL2.1
appliance hose twin connector with non-return and air-admittance valve. O-ring



HL420
threaded extension 1'x68mm



HL44
mounting plate



HL405B
adjustable strap

Alternatives



HL404.WE
recessed washing device trap DN40/50 with connection for air admittance valve - 110x225mm white

TECHNICAL DATA

| | | |
|------------------|---------------|----------------------------|
| material | PE | installation height |
| dimension | DN40/50 | grate frame |
| capacity | 0,38 l/s | grate |
| weight | 0,28 | load class |
| EAN | 9003076524006 | inlet |
| | | standards |

PACKAGING DATA

PE-bag

| | |
|---------------------------|---------------------|
| unit | 1 [pcs.] |
| weight | 0,293 [kg] |
| EAN/pack. | 9003076524006 |
| height/width/depth | 0/0/0 [mm] |
| volume | 0 [m ³] |

carton

| | |
|---------------------------|---------------------------|
| unit | 10 [pcs.] |
| weight | 3,12 [kg] |
| EAN/pack. | 9003076624003 |
| height/width/depth | 260/250/410 [mm] |
| volume | 0,02665 [m ³] |

DOWNLOADS

| | | |
|-----------------------|---------------------------------|----------------|
| Foto Print | HL400_WE_pr.tif | max. |
| Foto Web | HL400_WE_B.jpg | 640x480/300dpi |
| Foto Symbol | HL400_WE_gr.jpg | 150x150/72dpi |
| techn. drawing | HL400_1_e.pdf | pdf |
| CAD | HL400_2_e1.dxf | dxf |