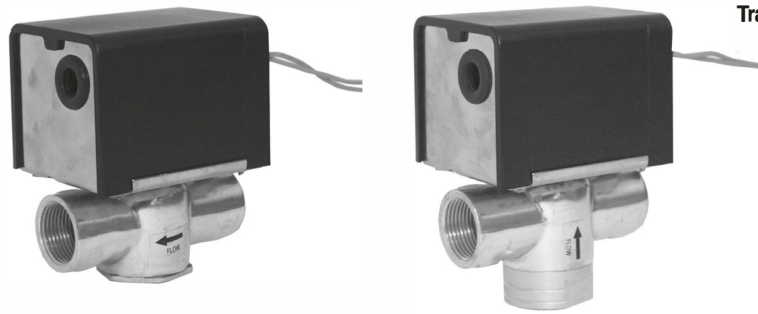


2-and 3-way zone valves with rotary actuator

- Nominal voltage AC 230 V
- Open/Close control
- Deenergised NC, valve closed
- Internal thread



Trade-Line by Belimo

Overview of types

	Type	kvs	DN	Rp	Delta ps	Weight	FLOWAIR
2-way valves	EXT-SW-E152V4C1	0.9 m ³ /h	15 mm	1/2"	5.1 bar	0.75 kg	
	EXT-SW-E152V4C2	2.2 m ³ /h	15 mm	1/2"	3.4 bar	0.75 kg	
	EXT-SW-E152V4C3	3.0 m ³ /h	15 mm	1/2"	2.0 bar	0.75 kg	SRQ2d -1/2
	EXT-SW-E202V4C2	2.2 m ³ /h	20 mm	3/4"	3.4 bar	0.90 kg	
	EXT-SW-E202V4C3	3.0 m ³ /h	20 mm	3/4"	2.0 bar	0.90 kg	
	EXT-SW-E202V4C5	4.3 m ³ /h	20 mm	3/4"	1.7 bar	0.90 kg	
	EXT-SW-E202V4C7	6.5 m ³ /h	20 mm	3/4"	1.3 bar	0.90 kg	SRQ2d -3/4
	EXT-SW-E252V4C8	6.9 m ³ /h	25 mm	1"	1.3 bar	1.05 kg	
3-way valves	EXT-SW-E153V4C1	1.3 m ³ /h	15 mm	1/2"	5.1 bar	0.80 kg	
	EXT-SW-E153V4C2	2.6 m ³ /h	15 mm	1/2"	3.4 bar	0.80 kg	
	EXT-SW-E153V4C3	3.4 m ³ /h	15 mm	1/2"	2.0 bar	0.80 kg	SRQ3d -1/2
	EXT-SW-E203V4C2	2.6 m ³ /h	20 mm	3/4"	3.4 bar	0.95 kg	
	EXT-SW-E203V4C3	3.4 m ³ /h	20 mm	3/4"	2.0 bar	0.95 kg	
	EXT-SW-E203V4C5	4.3 m ³ /h	20 mm	3/4"	1.7 bar	0.95 kg	
	EXT-SW-E203V4C7	6.5 m ³ /h	20 mm	3/4"	1.3 bar	0.95 kg	SRQ3d -3/4
	EXT-SW-E253V4C8	6.9 m ³ /h	25 mm	1"	1.3 bar	1.10 kg	

Technical data

Valve data	kvs	see «Overview of types»	
	DN	see «Overview of types»	
	Pipe connector Rp (ISO7/1)	see «Overview of types»	
	Pressure	Rated pressure p _s	21 bar
		Closing pressure Δp _s	see «Overview of types»
	Media	Cold and hot water Water with max 50% volume of glycol	
	Leakage rate B – A	1 (tight)	
	Materials	Valve body	Forged brass
		Spindle	Nickel-plated brass
		Seat	Brass
Seal		NBR	
Electrical data actuator	Nominal voltage	AC 230 V, 50/60 Hz	
	Power consumption	In operation	6.5 W
		For wire sizing	7 VA
Connection	Cable 10 cm, 2 x 0.75 mm ²		
Functional data actuator	Manual override	Yes (permanent)	
	Running Motor time	Spring-return	<18 s
			<5 s
	Sound power level	<45 dB (A) when the valve is closing	
Safety	Protection class	II	
	Degree of protection	IP20	
	EMC	CE according to 2004/108/EC	
	Ambient temperature	0 ... +40 °C	
	Media temperature	+2 ... +93 °C (in valve)	
	Non-operating temperature	-40 ... +71 °C	
	Ambient humidity	95% r.H., non-condensating	
	Maintenance	Maintenance-free	
Dimensions / Weight	Dimensions	See «Dimensions» on page 2	
	Weight	see «Overview of types»	

Safety notes



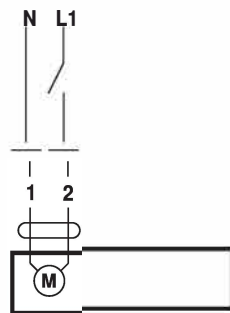
- The positioning devices have been designed for use in stationary heating, ventilation and air conditioning systems and are not allowed to be used outside the specified field of application, especially in aircraft or in any other airborne means of transport.
- It may only be installed by suitably trained personnel. Any legal regulations or regulations issued by authorities must be observed during assembly.
- The device may only be opened at the manufacturer's site. It does not contain any parts that can be replaced or repaired by the user.
- The device contains electrical and electronic components and is not allowed to be disposed of as household refuse. All locally valid regulations and requirements must be observed.

Product features

Combination valve/actuators Valve and actuator will be delivered as one unit.

Electrical installation

Wiring diagram

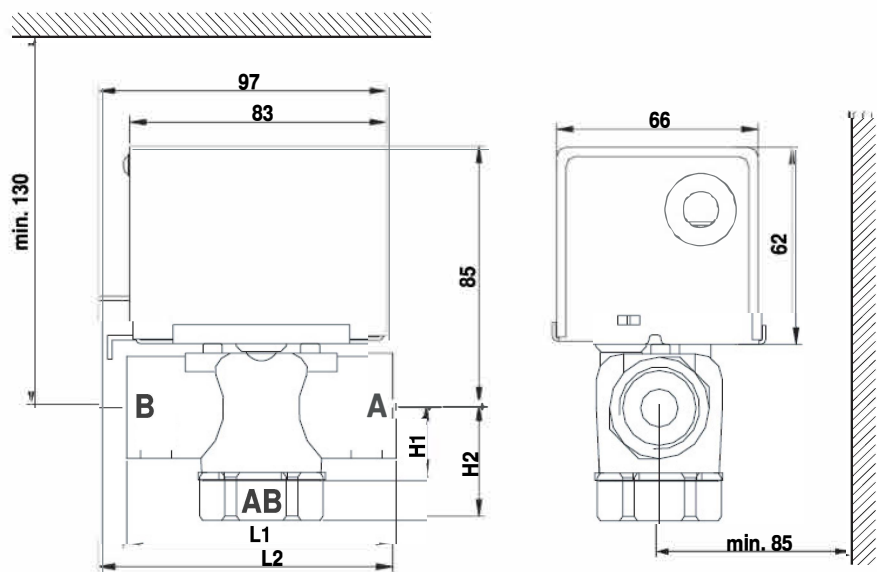


Rotary actuator	Rotary valve
L1	B - A = 0%
L1	B - A = 100%

Rotary actuator	Rotary valve
L1	AB - B = 0% AB - A = 100% B - A = 0%
L1	AB - B = 100% AB - A = 0% B - A = 0%

Dimensions [mm]

Dimensional drawings



Type	DN	Rp	L1	L2	H1	H2
EXT-SW-E152V4C..	15	1/2"	70	86	23	-
EXT-SW-E202V4C..	20	3/4"	70	86	37	-
EXT-SW-E252V4C..	25	1"	87	93	23	-
EXT-SW-E153V4C..	15	1/2"	87	93	-	37
EXT-SW-E203V4C..	20	3/4"	94	95	-	25
EXT-SW-E253V4C..	25	1"	94	95	-	42

Warranty period

This is a trade product not manufactured by Belimo (Trade product according chapter 13 of general conditions of sales and delivery).
The warranty period of this product is two years from the date of delivery.

LYNGSON

LYNGSON Oslo
Widerøeveien 1
1360 Fornebu
Tlf. +47 67 10 25 00

LYNGSON Sørlandet
Vigeland Bruksvei 21
4700 Vennesla
Tlf. +47 48 84 40 92

LYNGSON Trondheim
Sluppenveien 25,
7037 Trondheim
Tlf. +47 73 84 74 00

LYNGSON Bergen
Liamyrane 6
5132 Nyborg
Tlf. +47 90 84 59 08