

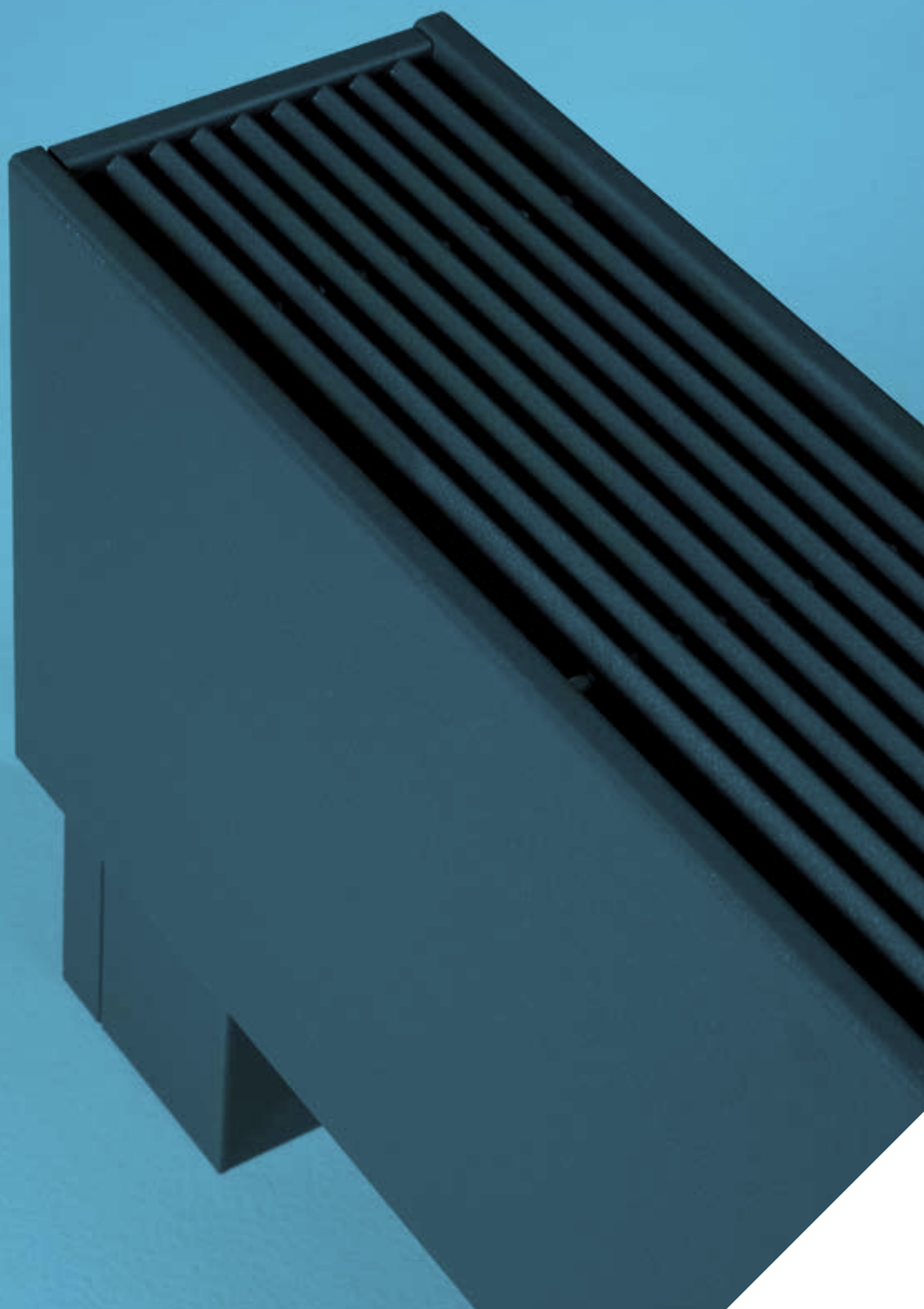
jaga

CLIMATE DESIGNERS

Heating 

Light cooling 

LYNGSON



jaga

CLIMATE DESIGNERS

AVAILABLE
FROM
APRIL 1, 2021

MINI FREESTANDING HYBRID

Unobtrusive Hercules.

- For spaces with large windows, glazed façades, for window displays, conservatories, under window seats and for dwarf walls.
- Equipped as standard with pipe work guard.
- No wasteful heat loss from radiation through glazing.
- Stable one-piece casing.
- Low-H₂O technology with super conductive and ultra fast heat exchanger for low energy consumption and maximum heat emission.
- Twin Power for better compensation of the downward cold air flow next to glazed façades or ventilation grilles.
- Safe surface temperature.
- **A 30 year guarantee** on the heat exchanger.



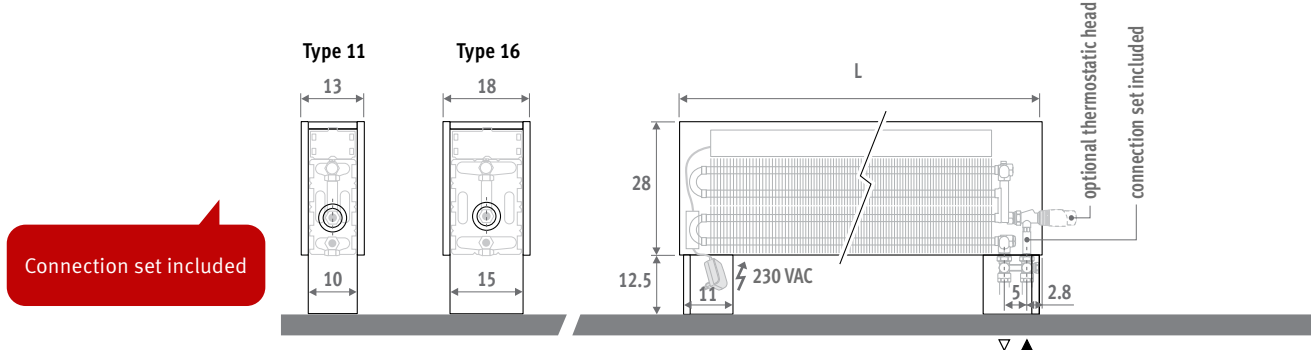
MINI FREESTANDING HYBRID

AVAILABLE
FROM
APRIL 1, 2021



MINI FREESTANDING HYBRID

DIMENSIONS (in cm)



Connection set included

DELIVERY

- Easy to install.
Standard delivery:
- pre-assembled radiator on integrated feet, consisting of a one piece casing, feet with pipe guard, DBH set incl. operation, control and power supply 24 VDC
 - detachable grille
 - Jaga thermostatic H-valve and sleeve couplings. Connections 3/4" Eurocone in the foot, left or right.
 - straight air vent 1/8"
 - collar in stainless steel effect for the connection side

COLOURS

- Environmentally friendly, scratch-resistant, high UV resistant powder coating.
Standard colours:
- traffic white RAL 9016 (133), soft touch lightly structured satin lacquer
 - sandblast grey (001), fine texture metallic lacquer
- Other colours: see colour chart.

OPTIONS

Thermostatic heads



Surcharge Thermostatic head

- .../AC
- .../AS
- .../AW
- .../HC
- .../JW
- .../MA

DIMENSIONS	POSITION	HEATING Room temperature 20°C				COOLING Room temperature 27°C	SOUND PRESSURE dB(A)	ELECTRIC POWER CONSUMPTION W	ORDER CODE	
		L cm	B cm	75/65 Watt	55/45 Watt	45/35 Watt				35/30 Watt
081	11	1	1648	933	589	355	276	26.0	6.3	MIFH.02808111.XXX/00/...
		2	1770	1002	633	381	296	30.0	6.8	
		3	2136	1210	764	460	358	41.8	9.1	
16	16	1	2040	1156	730	439	312	26.0	6.0	MIFH.02808116.XXX/00/...
		2	2188	1239	783	471	335	30.0	6.7	
		3	2936	1663	1050	632	450	42.4	9.0	
101	11	1	2136	1210	764	460	358	26.0	7.8	MIFH.02811011.XXX/00/...
		2	2301	1303	823	495	385	30.0	8.7	
		3	2825	1600	1011	608	473	43.0	12.2	
16	16	1	2630	1490	941	566	403	26.0	7.0	MIFH.02810116.XXX/00/...
		2	2817	1595	1008	606	431	30.0	7.7	
		3	3883	2199	1389	836	595	44.1	10.7	
121	11	1	2612	1479	935	562	437	26.0	8.9	MIFH.02812111.XXX/00/...
		2	2822	1598	1010	607	473	30.0	9.9	
		3	3514	1990	1257	756	589	44.0	14.8	
16	16	1	3242	1836	1160	698	496	26.0	8.7	MIFH.02812116.XXX/00/...
		2	3472	1966	1242	747	532	30.0	9.8	
		3	4830	2735	1728	1039	740	44.8	14.3	
141	11	1	3077	1743	1101	662	515	26.0	10.1	MIFH.02814111.XXX/00/...
		2	3333	1887	1192	717	558	30.0	11.2	
		3	4203	2380	1504	904	704	44.8	17.5	
16	16	1	3844	2177	1376	827	589	26.0	9.6	MIFH.02814116.XXX/00/...
		2	4117	2332	1473	886	630	30.0	10.5	
		3	5777	3272	2067	1243	885	45.4	14.4	
181	11	1	4031	2283	1442	867	675	26.0	12.2	MIFH.02818111.XXX/00/...
		2	4376	2478	1566	942	733	30.0	13.7	
		3	5581	3161	1997	1201	935	46.0	22	
16	16	1	4843	2743	1733	1042	686	26.0	11.5	MIFH.02818116.XXX/00/...
		2	5171	2929	1850	1113	733	30.0	12.8	
		3	7371	4175	2637	1586	1045	46.4	19.6	
241	11	1	5238	2967	1874	1127	877	26.0	14.8	MIFH.02824111.XXX/00/...
		2	5738	3250	2053	1235	961	30.0	16.6	
		3	7648	4331	2736	1646	1281	47.2	28.0	
16	16	1	6916	3917	2475	1488	1059	26.0	16.4	MIFH.02824116.XXX/00/...
		2	7168	4060	2565	1543	1098	30.0	17.7	
		3	10512	5953	3761	2262	1610	48.1	29.7	

- Precision metal tube 14/1 **114**
- Precision metal tube 15/1 **115**
- Precision metal tube 16/1 **116**
- RPE/ALU tube 16/2 **316**

(other sleeve couplings: see "Connection sets and Valves Low-H2O")



NOTES

LYNGSON

LYNGSON Oslo

Widerøeveien 1
1360 Fornebu
Tlf. +47 67 10 25 00

LYNGSON Sørlandet

Vigeland Bruksvei 21
4700 Vennesla
Tlf. +47 48 84 40 92

LYNGSON Trondheim

Sluppenveien 25,
7037 Trondheim
Tlf. +47 73 84 74 00

LYNGSON Bergen

Liamyrane 6
5132 Nyborg
Tlf. +47 90 84 59 08